

**SURFACE MOUNT MOLDED TYPE
POWER INDUCTOR SERIES MTPI0515**

FEATURES

- Low profile
- High current handling capacity
- Low noise and low DCR
- High reliability and efficiency
- RoHS compliant plus Lead and Halogen free
- Magnetically shielded

ELECTRICAL SPECIFICATIONS

- Inductance range 0.47uH to 10.0uH
- Test frequency 100 KHz with test level 1.0 V
- Test equipment Quadtech 1910 L analyzer
- Rated current range 2.3 to 15.0 Amps
- Tolerance ± 20%
- Rated current Refer to notes below

SPECIFICATIONS

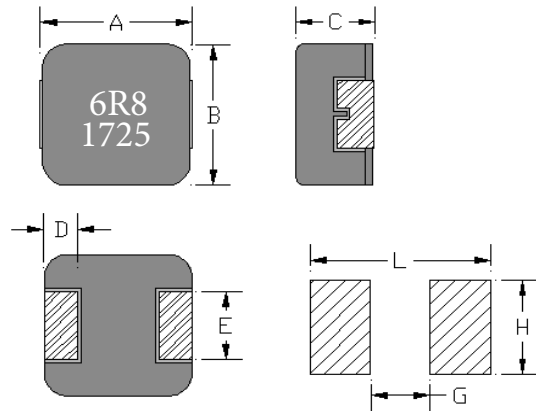
Part Number	L (μH)	Tol % ±	DCR max (mΩ)	Rated Current (A)	
				I _{rms} ⁽¹⁾	I _{sat} ⁽²⁾
MTPI0515-R47M	0.47	20	13.8	8.0	15.0
MTPI0515-R68M	0.68	20	16.2	7.0	13.0
MTPI0515-1R0M	1.00	20	25.3	6.0	9.0
MTPI0515-2R2M	2.20	20	52.0	4.0	6.0
MTPI0515-3R3M	3.30	20	90.0	3.2	4.5
MTPI0515-4R7M	4.70	20	118.0	2.7	4.0
MTPI0515-5R6M	5.60	20	152.0	2.4	3.2
MTPI0515-6R8M	6.80	20	171.2	2.3	3.0
MTPI0515-100M	10.0	20	235.0	2.0	2.3

PHYSICAL SPECIFICATIONS

- Operating temp. -40°C to +125°C
- Core Mixed material
- Terminal construction Solder plating
- Packaging Box 7000 pieces per inner box
 T & R 3500 pieces per reel
- Tape & reel spec. Tape 12 mm embossed carrier
 Reel 330 mm reel

DIMENSIONS IN MILLIMETERS

- Length A 5.7 ± 0.3
- Width B 5.2 ± 0.2
- Height C 1.3 ± 0.2
- Terminal width D 1.1 ± 0.3
- Terminal length E 2.5 ± 0.3



SUGGESTED LAND PATTERN

- L = 6.2 mm ref.
- G = 2.2 mm ref.
- H = 2.8 mm ref.

Notes:

- (1) Based on ΔT approximately 40°C
- (2) L drops 20% typical

All test data based on 25°C ambient
 Part temperature (ambient + temperature rise) must not exceed 125°C under worst case operating conditions.
 Circuit design, components, PCB trace size, airflow and other cooling provisions all effect the part temperature.